



Small Square Case Counters . . . compact, lightweight, highly-reliable mechanical totalizers, available in rotary and ratchet drives

A very popular family of flange mount case, 5-figure nonreset totalizers. All models feature a scratch resistant front crystal, smooth low torque operation, and dust resistant construction.

- Precision design provides smooth operation and long service life
- Easy to see display – High contrast white-on-black figures
- Scratch resistant front crystal
- Stainless steel drive shaft; Tough molded case and internal parts
- Lubrication never required
- Compact and lightweight
- Wide temperature range, -40° to +160°F (-40° to +57°C)

Models are available with input shaft drives which count from a ratcheting motion, or rotary drives with count per revolution ratios of 1:1, 10:1, or 1:10.

Where order quantities permit, many special variations are possible, such as: 6 or 7 figures, mounting options, double-ended shaft, and reverse display colors.

For reset features, see Series 7272

For heavy industrial application, see Series 1259, 1260, 1261, 1262

SPECIFICATIONS

Drive Ratios:

Series 7458: Direct Drive, adds ten counts for each drive shaft revolution; Subtracts for opposite rotation

Series 7459: Revolution Drive, adds one count for each drive shaft revolution; Subtracts for opposite rotation

Series 7460: Ratchet Drive with stops, adds one count for each drive shaft actuation through arc of 40° minimum; Maximum travel limited to arc of 45°; Integral return spring

Series 7461: Rotary Ratchet Drive, adds one count for each drive shaft actuation through arc of 40° minimum, 60° maximum; May be used as direct drive adding ten counts for each drive shaft revolution; Will not subtract in opposite direction

Count Speed: Direct Drive: 500 rpm; Revolution Drive: 1000 rpm; Ratchet Drive (harmonic motion): 1000 cpm; Rotary Ratchet Drive (harmonic motion): 1000 cpm; Geared Drive: 1000 cpm

Torque (oz.-in.): Direct Drive: 0.25; Revolution Drive: 0.5; Ratchet Drive: 6.0; Rotary Ratchet Drive: 1.0; Geared Drive: 0.5

Number of Figures: 5

Size of Figures: 0.170" (4.3 mm) high by 0.087" (2.2 mm) wide

Color of Figures: White on black

Lubrication: Not required

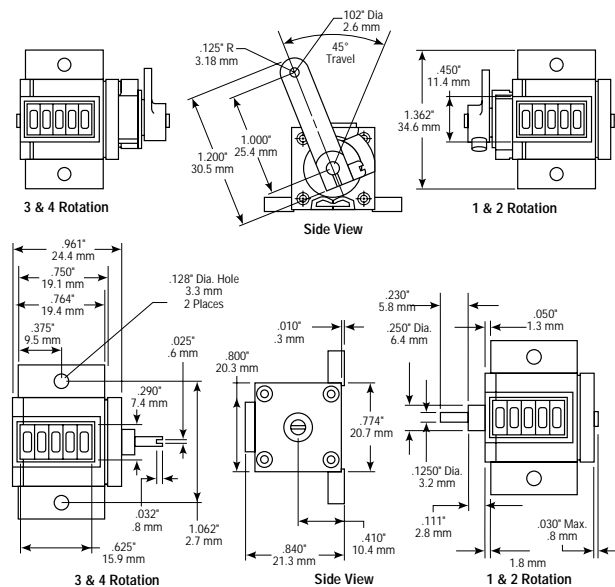
Ambient Temperature: -40° to +160°F (-40° to +57°C)

Construction: Case, pinions, and wheels: acetal resin; Drive shaft and washer: stainless steel

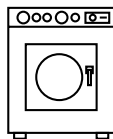
Net Weight: 0.49 oz. for 5 figure model

Model No.	Description	Rotation
0745815-001	Direct drive, 5 figures, flange case	
0746015-001	Ratchet drive, 5 figures, flange case	⊕
0746115-001	Rotary ratchet drive, 5 figures, flange case	⊕
0745915-001	Revolution drive, 5 figures, flange case	
0745825-001	Direct drive, 5 figures, flange case	
0746025-001	Ratchet drive, 5 figures, flange case	⊕
0745925-001	Revolution drive, 5 figures, flange case	
0745835-001	Direct drive, 5 figures, flange case	
0746035-001	Ratchet drive, 5 figures, flange case	⊕
0745935-001	Revolution drive, 5 figures, flange case	
0745845-001	Direct drive, 5 figures, flange case	
0746045-001	Ratchet drive, 5 figures, flange case	⊕
0745945-001	Revolution drive, 5 figures, flange case	

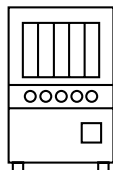
Dimensions:



Typical Applications:



Coin-operated Laundry



Vending Machine

Ideal for vending machines, office equipment, and other applications where non-electrical actuation is desired.